



Industrial Range

MODEL

580EHX

DUAL RANGE TESTER



Hydraulic Dead-Weight Testers

Primary standards
for Pressure
Calibration

- ▶ Range from 1 - 2600 bar
- ▶ Supplied with software

- ▶ Standard Accuracy to 0.02%
- ▶ Class 'A' Accuracy to 0.008%



DH·Budenberg
The Pressure Reference

Industrial Range

MODEL

580EHX

DUAL RANGE TESTER

Hydraulic Dead-Weight Testers

Primary standards for Pressure Calibration

Standard Accuracy to 0.02%
Class A

Calibration Certificate 0.008%

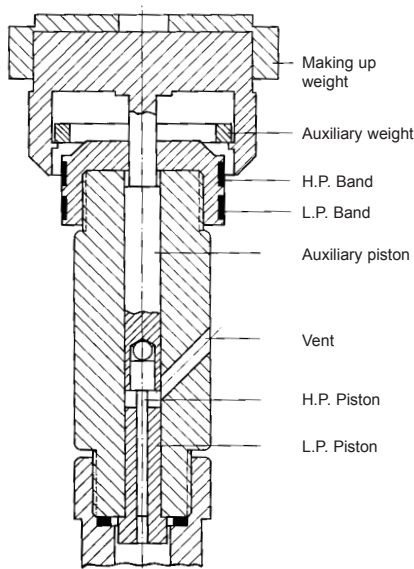
RANGES:

2,600 bar 40,000 psi

2,600 kg/cm² 260 MPa

ACCURACY

All certificates issued for DH-Budenberg Dead Weight Testers are fully traceable to national standards via equipment with UKAS calibration certificates. The standard accuracy of 0.02% is achieved between 6 and 1200 bar using software supplied to allow the user to compensate for the effects of gravity and temperature. In other parts of the pressure range, the standard accuracy is 0.025% from 1 to 6 bar, 0.03% from 1200 to 1800 bar and 0.04% from 1800 to 2600 bar. Higher accuracy Class A testers are available supplied with detailed Area and Mass certificate of calibration allowing an accuracy of 0.008% to be achieved from 6 to 2600 bar.



580EHX SERIES BASE

The base features a high pressure dual area screw-press which allows for low pressure priming and high pressure control. The base incorporates high pressure hydraulic connections and pipework, connected to a gauge stand which uses DH-Budenberg's standard high pressure cone-joint connections. The piston stand is elevated from the base to allow an overhang weight set to be used, giving extra stability at higher pressures. Additional support is provided in the base by means of five adjustable feet, one of which directly supports the piston and mass set.

The 580EHX uses a well-proven patented design in its dual area piston/cylinder unit with 1/8in² and 1/160in² areas. Changing between ranges is fully automated, meaning that users have an extremely flexible instrument covering the range with one piston/cylinder assembly and one weight set. The low pressure piston/high pressure cylinder is tungsten carbide, other parts are fully hardened and stabilised tool steel.

Please note: Due to DH-Budenberg's policy of continuous improvements, specifications may be subject to change without notice.

WEIGHTS SUPPLIED

bar or kg/cm ²	MPa	lb/in ²
Low range (**)	Low range (**)	Low range (**)
1 - 50	0.1 - 5	10 - 600
High range	High range	High range
20 - 2600	2 - 260	200 - 40000
Piston 1 or 20 top loading	Piston 0.1 or 2 top loading	Piston 10 or 200 top loading
1 wt 9 or 180 top loading	1 wt 0.9 or 18 top loading	1 wt 90 or 1800 top loading
3 wts 10 or 200 top loading	3 wts 1 or 20 top loading	4 wts 100 or 2000 top loading
1 wt 5 or 100 top loading	1 wt 0.5 or 10 top loading	1 wt 50 or 1000 top loading
2 wts 2 or 40 top loading	2 wts 0.2 or 4 top loading	2 wts 20 or 400 top loading
1 wt 1 or 20 top loading	1 wt 0.1 or 2 top loading	1 wt 10 or 200 top loading
2 wts 0.5 or 10 top loading	2 wts 0.05 or 1 top loading	1 wt 5 or 100 top loading
Overhang & m.u.wt 10 or 200	Overhang & m.u.wt 1 or 20	Overhang & m.u.wt 100 or 2000
7 wts 10 or 200 annular	7 wts 1 or 20 annular	14 wts 100 or 2000 annular

** Use Top Loading weights on low range only

SOFTWARE

For maximum ease of use, computer software is supplied with all units. There are two software packages, one for standard accuracy, one for Class A. The software allows the users to correct for the effects of environmental factors such as gravity and temperature and to determine the precise pressure generated by the Dead-weight testers.

ACCESSORIES

There are many accessories which can be supplied for use with the Dead-weight testers. DH-Budenberg have extensive experience in the use of Dead-weight testers and can supply accessories for many applications.

PACKING DETAILS

1 carton containing base, tool roll and piston unit:
59 x 49 x 38cm, 0.110m³, Nett 20kg, Gross 22kg.

2 cartons containing weights:
32 x 32 x 38cm, 0.04m³, Nett 55kg, Gross 60kg.

SPARES, REPAIR AND RE-CERTIFICATION

Comprehensive service and calibration capability of both DH-Budenberg and non DH-Budenberg test equipment: Dead-weight Testers (working service or full overhaul).

Gauges (all types, all manufacturers).

Portable calibrators (DH-Budenberg & non- DH-Budenberg).

Comparators.

All accuracy ranges can be supplied with UKAS Calibration Certificates.

Certification traceable to national standards.

Rapid turn-around times and hire items available as a temporary replacement for strategically important plant.

For further information on Accessories, and other product information contact DH-Budenberg and ask for a Data sheet.



Calibration Dynamics Ltd

7 Regents Court
South Way
Walworth Industrial Estate
Andover
Hampshire SP10 5NX

TELEPHONE

+44 (0) 1264 339030

FAX

+44 (0) 1264 339040

WEBSITE

<http://www.calibrationdynamics.com>

EMAIL

sales@calibrationdynamics.com